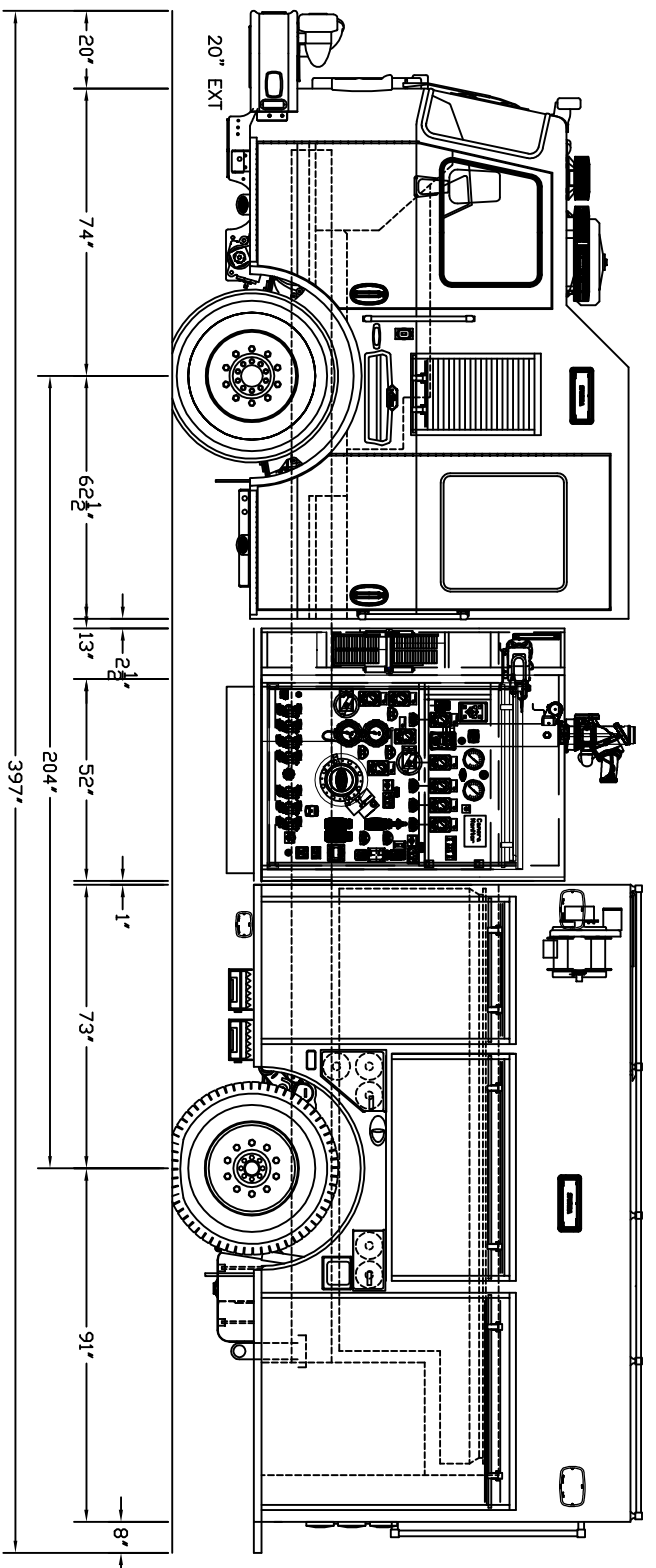
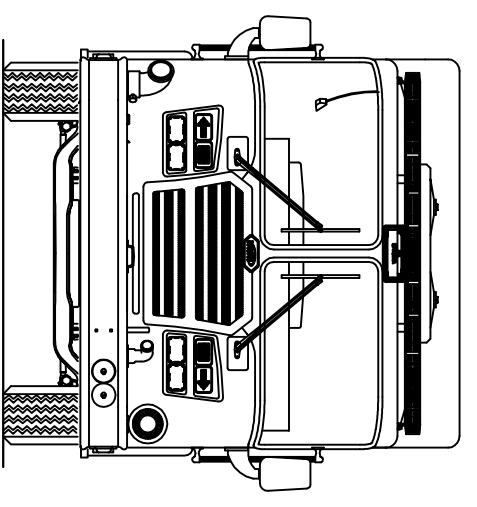
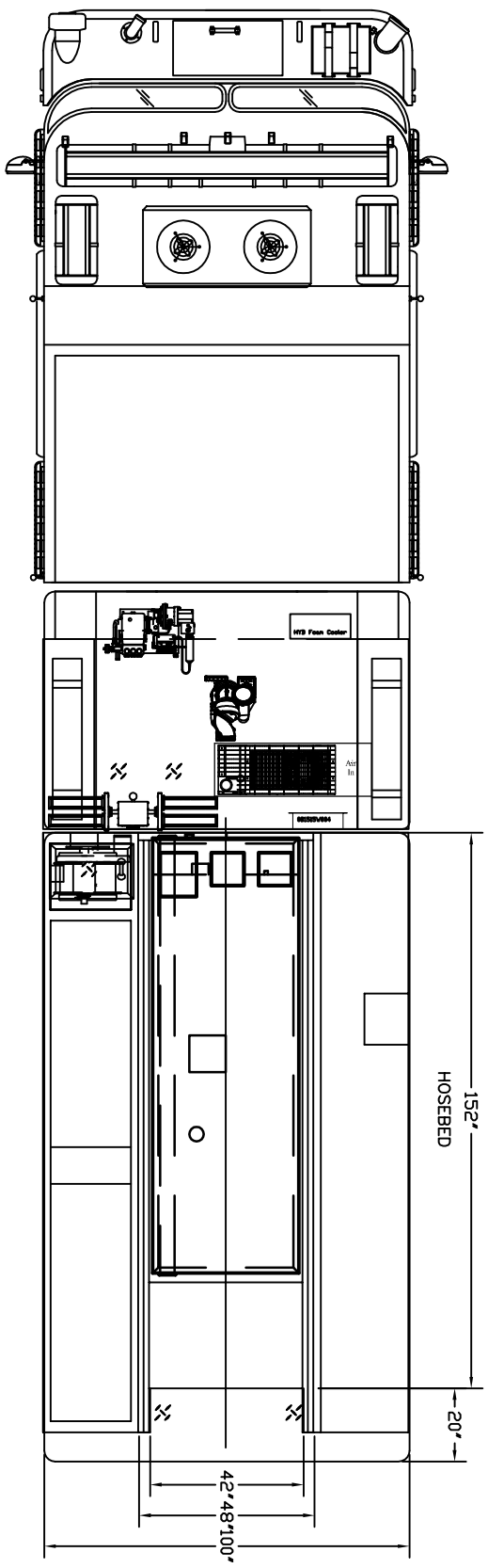
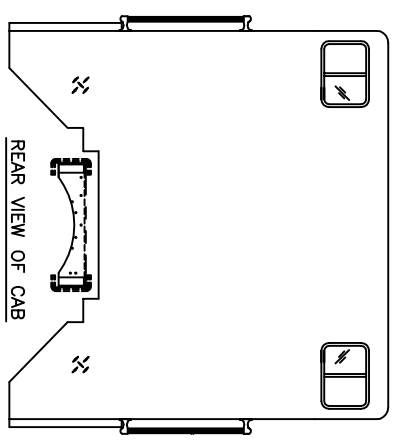


** NOTE **
 OVERALL HEIGHT
 12R TIRE = CURRENT
 315 TIRE ADD 1 1/4"
 425 TIRE ADD 2"



----- CHASSIS -----

CHASSIS: 100" W KME PREDATOR MPD
 CAB: 4 DOOR WITH 16" RAISED ROOF
 ENGINE: MAXFORCE 13 476 HP
 TRANSMISSION: ALLISON 4000EVS
 FRONT AXLE: 21,480 LB
 REAR AXLE: 27,000 LB

----- PUMP -----

PUMP: WATEROUS CSU-C20-2250 SINGLE STAGE

INTAKES
 DRIVER SIDE: 6"
 OFFICER SIDE: 6"
 FRONT: 6"
 REAR: N/A
 DISCHARGES
 DRIVER SIDE: (1) 2-1/2" & (1) 4"
 OFFICER SIDE: (1) 2-1/2"
 FRONT: (1) 2-1/2" DS
 REAR: (1) 4" OS DUNNAGE AREA
 DECK GUN: (1) 1-3/4" SPEEDLAWS
 OTHER: (2) 1-3/4" SPEEDLAWS

----- TANK -----

TANK: FIBERGLASS
 WATER: 600 GALLONS
 FOAM: 15/40
 EXTRA FILLS: N/A
 DUMPS: N/A

----- BODY -----

BODY TYPE: 164" FLEX MEDIUM
 MATERIAL: 12 GA 304L STAINLESS STEEL
 COMPARTMENTATION
 DRIVER SIDE: FULL HEIGHT/FULL DEPTH
 OFFICER SIDE: FULL HEIGHT/FULL DEPTH
 HOSEBED
 DIVIDERS: ONE (1)
 HOSE LOAD: 1,200 OF 5"
 600 OF 2 1/2"

----- MISC. -----

GENERATOR: SMART POWER HR-10 PTO/HYD
 FOAM SYSTEM: FOAMPRO 3012

CUSTOMER APPROVAL:

NAME:
 TITLE:
 DATE:

THIS DRAWING IS A GENERAL CONFIGURATION AND MAY NOT
 NECESSARILY REFLECT ALL CONTRACTUAL REQUIREMENTS.
 CONTRACT SPECIFICATIONS SHALL PREVAIL OVER DRAWING

REV	DATE	REVISION DESCRIPTION	APP'D
C	4-4-14	BODY RELEASE	RPS
B	3-31-14	REVISED	RPS
A	12-1-13	PRE-CON	

SALES ENGINEER : RYAN SLANE



KOVATCH MOBILE EQUIPMENT
 ONE INDUSTRIAL COMPLEX - NERSBOROUGH, PA 16240

DATE: 11/20/2013
 SCALE: 1"=24"
 DWG SIZE: D
 APPROVED BY: JJM

KME CUSTOM PUMPER

GROSSE ILE FD, MI

GS0#9457