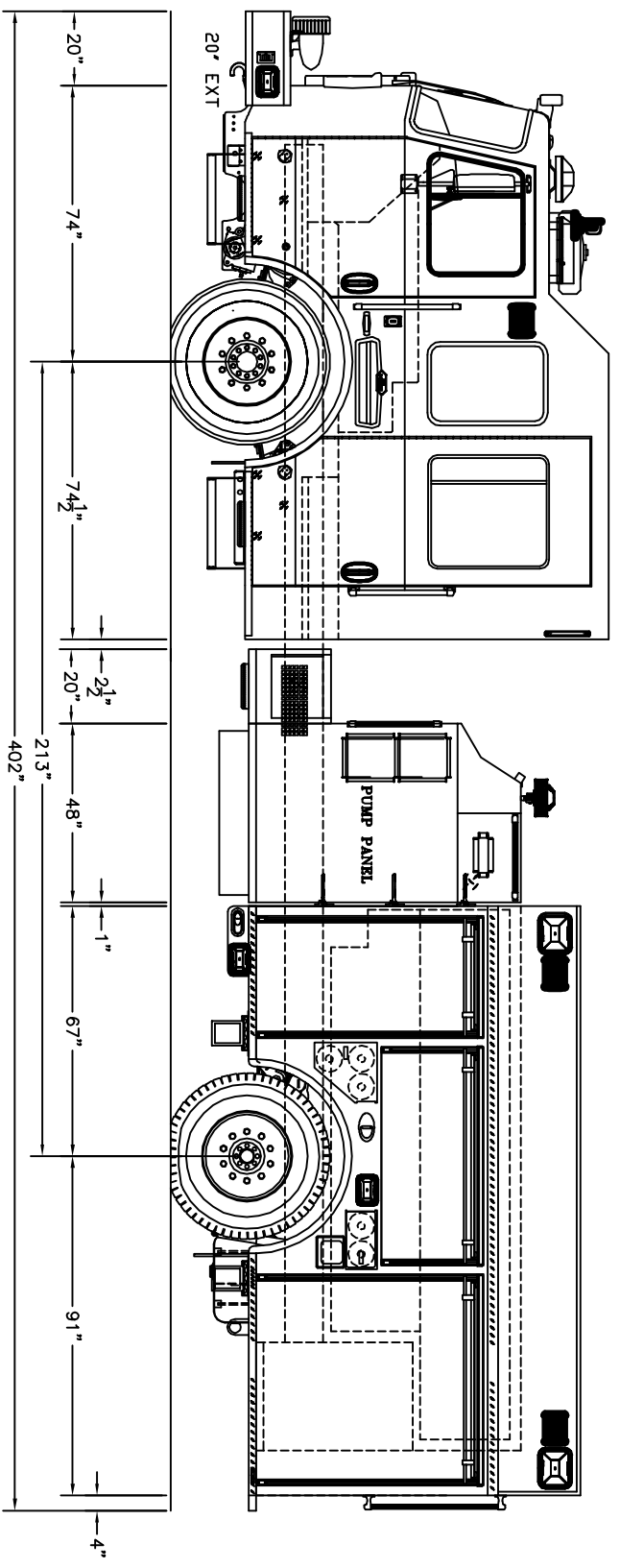
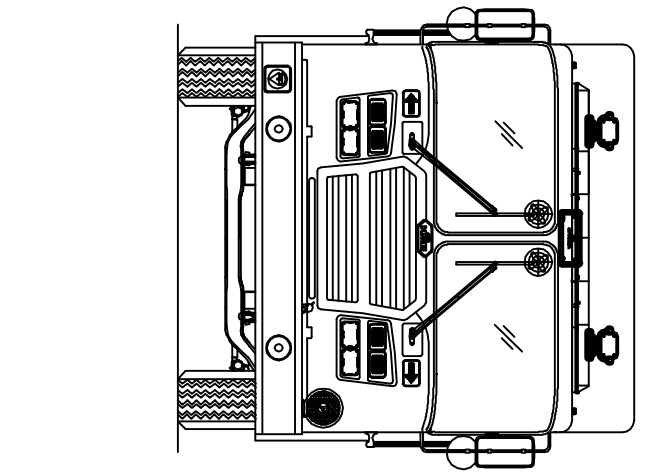
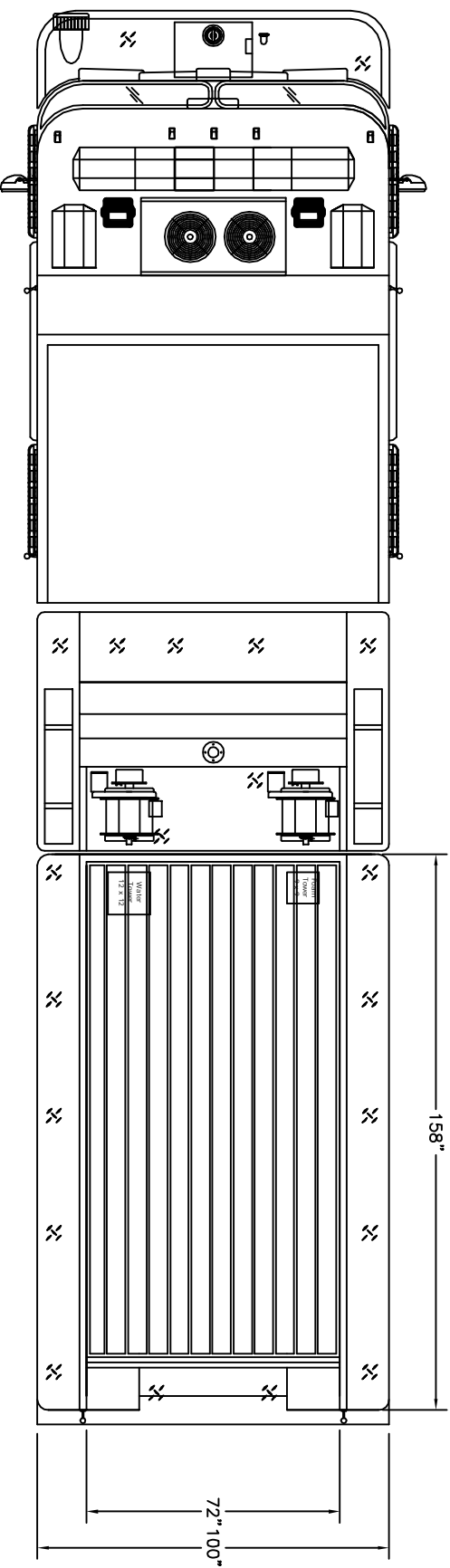
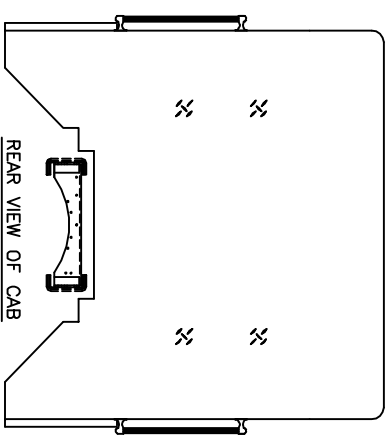


** NOTE **
 OVERALL HEIGHT
 12R TIRE = CURRENT
 315 TIRE ADD 1 1/4"
 425 TIRE ADD 2"



----- CHASSIS -----

CHASSIS: 100" W KME PREDATOR PANTHER 4X2
 CAB: LPD WITH 16" RAISED ROOF
 ENGINE: CUMMINS ISLE 430 HP
 TRANSMISSION: ALLISON 3000EVS 5 SPD AUTO
 FRONT AXLE: 21,480 LB
 REAR AXLE: 31,000 LB

----- PUMP -----

PUMP: HAILE QMAX-125 1250 GPM SINGLE STAGE
 INTAKES
 DRIVER SIDE: 6" & 2-1/2"
 OFFICER SIDE: 8"
 FRONT: N/A
 REAR: N/A
 DISCHARGES
 DRIVER SIDE: (2) 2-1/2"
 OFFICER SIDE: (1) 4" & (1) 2-1/2"
 FRONT: (2) 2 1/2" DS
 REAR: (2) 2 1/2" DS
 DECK GUN: (2) 1-3/4" SPEEDLAWS
 OTHER: N/A

----- TANK -----

TANK: POLY
 WATER: 1,250 GALLONS
 FOAM: 30
 EXTRA FILLS: 4" F-FRIEND OS REAR
 DUMPS: N/A

----- BODY -----

BODY TYPE: 158" FLEX MEDIUM
 MATERIAL: 12 GA 304L STAINLESS STEEL
 COMPARTMENTATION
 DRIVER SIDE: FULL HEIGHT/SPLIT DEPTH
 OFFICER SIDE: 3/4 HEIGHT/SPLIT DEPTH
 ROSEBERD
 DIVIDERS: TWO (2)
 HOSE LOAD: 300' OF 2 1/2" W/300' OF 1 3/4" ABOVE
 1,200' OF 5"

MISC. -----

GENERATOR: HARRISON PTO/HYD 10.0-MAS
 FOAM SYSTEM: FOAMPRO 2001

CUSTOMER APPROVAL:

NAME: _____
 TITLE: _____
 DATE: _____

THIS DRAWING IS A GENERAL CONFIGURATION AND MAY NOT
 NECESSARILY REFLECT ALL CONTRACTUAL REQUIREMENTS.
 CONTRACT SPECIFICATIONS SHALL PREVAIL OVER DRAWING

SYM	DATE	REVISION DESCRIPTION	APP'D
A	9-26-13	REVISED	KS

SALES ENGINEER : KEVIN STEEBER



KOVATCH MOBILE EQUIPMENT
 ONE INDUSTRIAL COMPLEX - NORTHERNVALE, VA 18240

DATE	SCALE	DWG SIZE	DRAWN BY	APPROVED BY
05/03/2013	1"=24"	D	JJM	

KME CUSTOM PUMPER
 NIVERVILLE, NY

GSO#9101