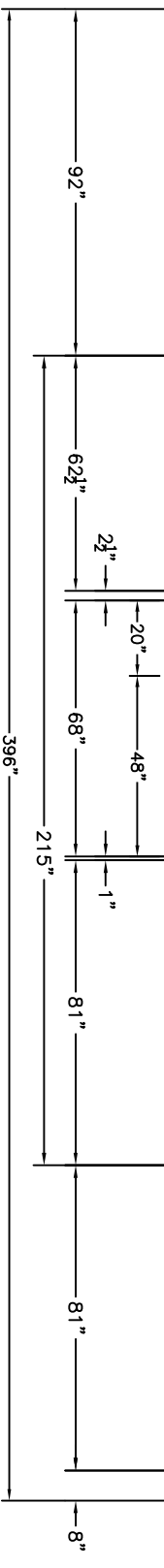
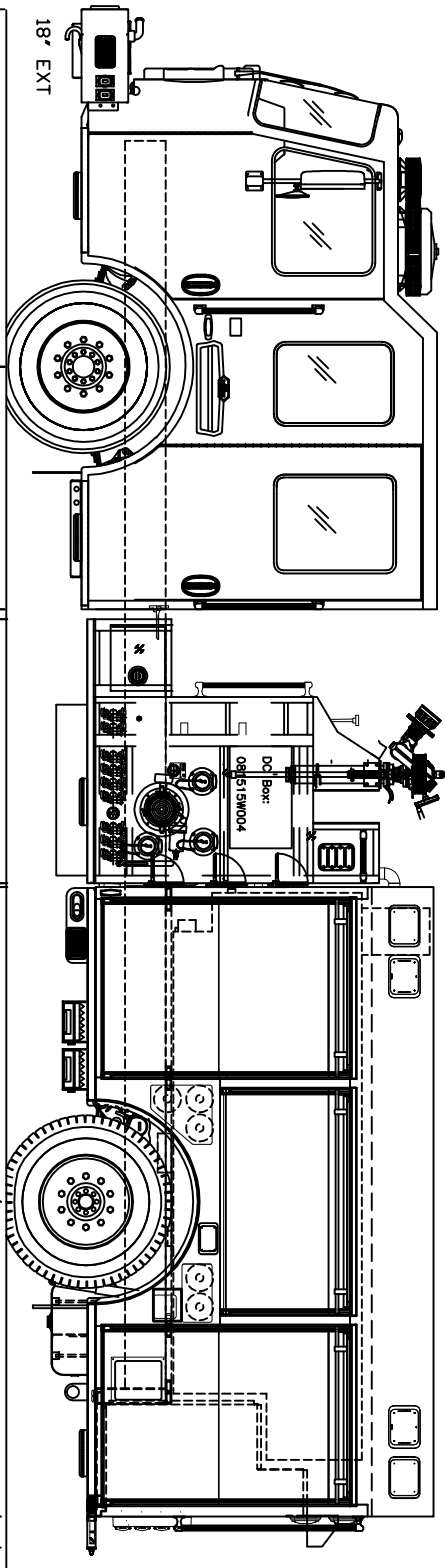
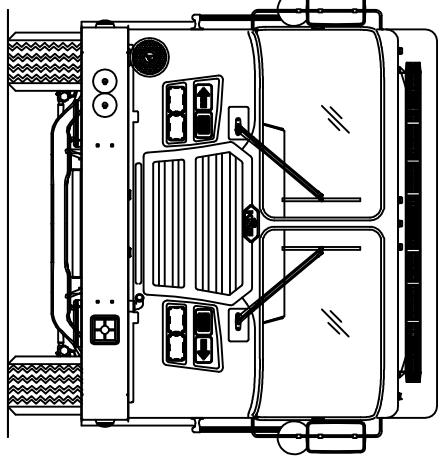
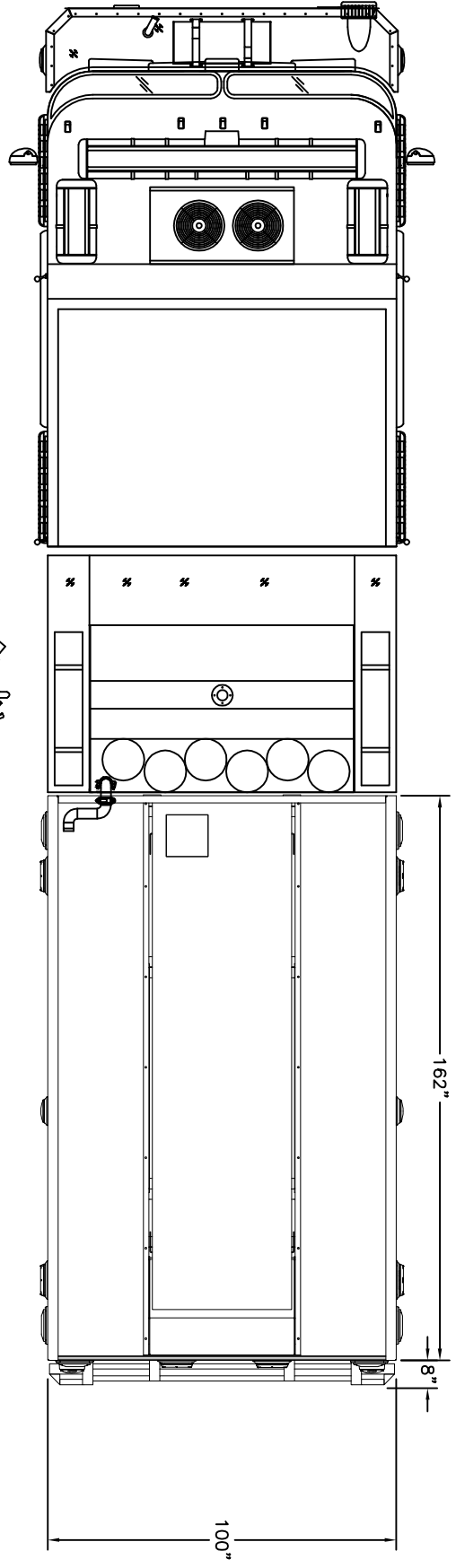
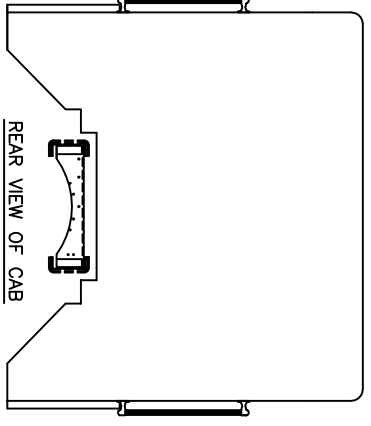


**** NOTE ****
 OVERALL HEIGHT
 128 TIRE = CURRENT
 315 TIRE ADD 1 1/4"
 425 TIRE ADD 2"



----- CHASSIS -----

CHASSIS: 100" W KME PREDATOR PANTHER 4X2
 CAB: MPD WITH 10' RAISED ROOF
 ENGINE: CUMMINS ISLE 450 HP
 TRANSMISSION: ALLISON 3000EVS 5 SPD AUTO
 FRONT AXLE: 20,000 LB
 REAR AXLE: 27,000 LB

----- PUMP -----

PUMP: HALE QMAX-150 1500 GPM SINGLE STAGE
 INTAKES
 DRIVER SIDE: 6" & 2-1/2"
 OFFICER SIDE: 6"
 FRONT: N/A
 REAR: N/A

DISCHARGES
 DRIVER SIDE: (2) 3" & (1) 3"
 OFFICER SIDE: (1) 4" 1 1/2" & (1) 3"
 FRONT: (1) 1 1/2" DS
 REAR: (1) 4" DS
 DECK GUN: (1) 3"
 OTHER: (2) 2" SPEEDLAYS
 (1) 2 1/2" DS FRONT HOSE BED
 (1) 2" CROSSSLAY

----- TANK -----

TANK: POLY
 WATER: 1,000 GALLONS
 FOAM: N/A
 EXTRA FILLS: 3" BETTS CENTER REAR
 DUMPS: N/A

----- BODY -----

BODY TYPE: 162" CHALLENGER WB
 MATERIAL: 3/16" ALUMINUM
 COMPARTMENTATION
 DRIVER SIDE: FULL HEIGHT/SPLIT DEPTH
 OFFICER SIDE: FULL HEIGHT/SPLIT DEPTH
 HOSEBED
 DIVIDERS: TWO (2)
 HOSE LOAD: WB-10
 CUSTOMER HOSE STORAGE REQUIREMENT

----- MISC. -----

GENERATOR: FOAM SYSTEM: ANGUS HI COMBAT EDUCATOR 900IND

CUSTOMER APPROVAL:

NAME: _____
 TITLE: _____
 DATE: _____

THIS DRAWING IS A GENERAL CONFIGURATION AND MAY NOT NECESSARILY REFLECT ALL CONTRACTUAL REQUIREMENTS. CONTRACT SPECIFICATIONS SHALL PREVAIL OVER DRAWING

SYM	DATE	REVISION DESCRIPTION	APP'D
B	2-4-14	REVISED	RPS
A	8-14-13	REVISED	RS

SALES ENGINEER : RYAN SLANE



KOVATCH MOBILE EQUIPMENT
 ONE INDUSTRIAL COMPLEX - NERSBOROUGH, PA 18820

DATE: 08/12/2013 SCALE: 1"=24" DWG SIZE: D APPROVED BY: JLM

KME CUSTOM PUMPER

TUXEDO JOINT FIRE DIST., NY
 GSO#9350